

Badger 45 Ton RT 4445 Specifications Diagram

WARNINGS

1. Minimum working boom angle for the fully extended main boom plus sidefly and jib is 55 degrees. Tipping can occur rapidly without advance notice.
2. For other boom configurations, having powered sections that are not fully extended, with or without sidefly and with or without jib, find rated loads in the columns headed by the maximum total length of the boom configuration.
3. The boom angle must be used to determine the rated load. For angles not provided in the table, use the rating listed for the next lower boom angle.

CRANE LIFT REDUCTIONS FOR BOOM EXTENSIONS (g)

deduct for:	Stored	Erected
30' Sidefly	650 lb.	1470 lb.
25' Jib	200 lb.	1500 lb.

Note: (g) Reduction in main boom capacities.

REEVING, MAIN WINCH

# of parts of hoist tackle		Max. hook load	
1	9,000 lb.	2	18,000 lb.
3	27,000 lb.	4	36,000 lb.
5	45,000 lb.	6	54,000 lb.
7	63,000 lb.	8	72,000 lb.
9	81,000 lb.	10	90,000 lb.

OPERATING INSTRUCTIONS

Radius of the load is horizontal distance from a projection of the axis of rotation before loading, to the center of vertical hoist line or tackle with load applied.

Boom angles, which represent the unloaded boom angles, are for reference only. Boom angles must be adjusted to maintain the proper load radius while the load is being picked. The boom angle before loading should be slightly greater to account for boom deflection.

Load ratings in shaded areas are based on machine's hydraulic or structural competence; not on its stability.

Tipping capacities do not exceed 85% of tipping loads for "on outrigger" capacities or 75% of tipping loads for "on rubber" capacities as determined by tests in accordance with SAE recommended practice - "Crane Load Stability Test Code SAE J 765 A."

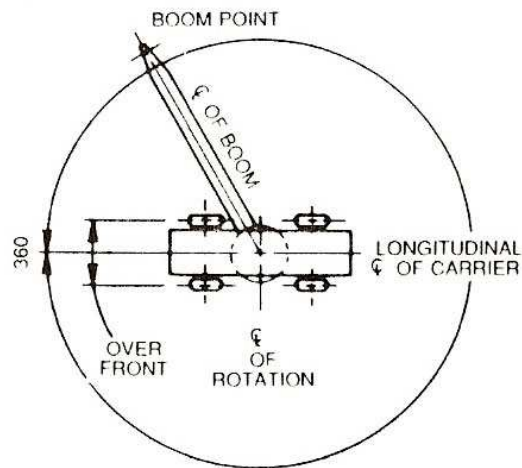
Crane load capacities are based on freely suspended loads. They are the maximum covered by the manufacturer's warranty with the machine leveled and on a firm supporting surface.

Practical working loads depend upon supporting surface, wind, and other factors affecting stability, hazardous surroundings, experience of personnel, and proper handling, all of which must be taken into account by the operator.

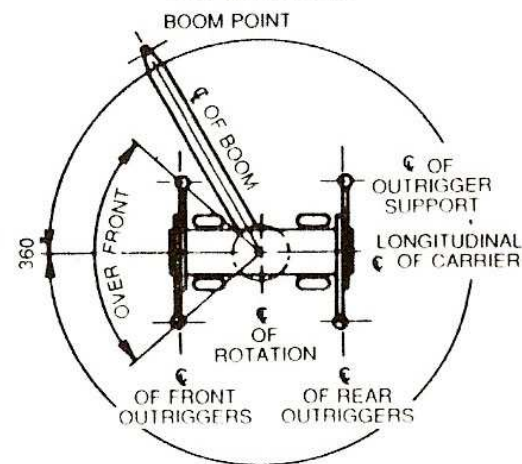
Weights of all auxiliary handling devices such as boom attachments, hoist block, hooks, and slings, except hoist rope, is considered as part of the load ratings.

Powered boom sections are synchronized to extend equally at all times. Each section extends to a maximum of 24.3 feet. The maximum powered boom load which may be telescoped is limited by hydraulic pressure, boom angle, and boom capacity. It is safe to attempt to telescope any load within the stated conditions of the rating chart.

AREAS OF OPERATION



ON RUBBER



ON OUTRIGGERS

"On outrigger" capacities are based on outriggers fully extended to 21' from centerline to centerline of vertical jack cylinders. "On rubber" capacities are based on the tire specified in the table. Machine must be on a firm, smooth, level surface.

For boom lengths not shown, use load ratings for next longer boom. For load radii not shown, use load rating for next longer radius. Positioning or operation at radii and boom lengths beyond the maximums or minimums shown, is not intended or approved. The boom assembly shall be fully retracted and leveled when crane is out of service.

From main boom capacities, deduct: 650 lb. if Sidefly stowed or 1,470 lb. if Sidefly erected; and 200 lb. if Jib stowed or 1500 lb. if Jib erected.

Hoist reeving should be based on 9,000 lb. (4,082 kg) per part of line.