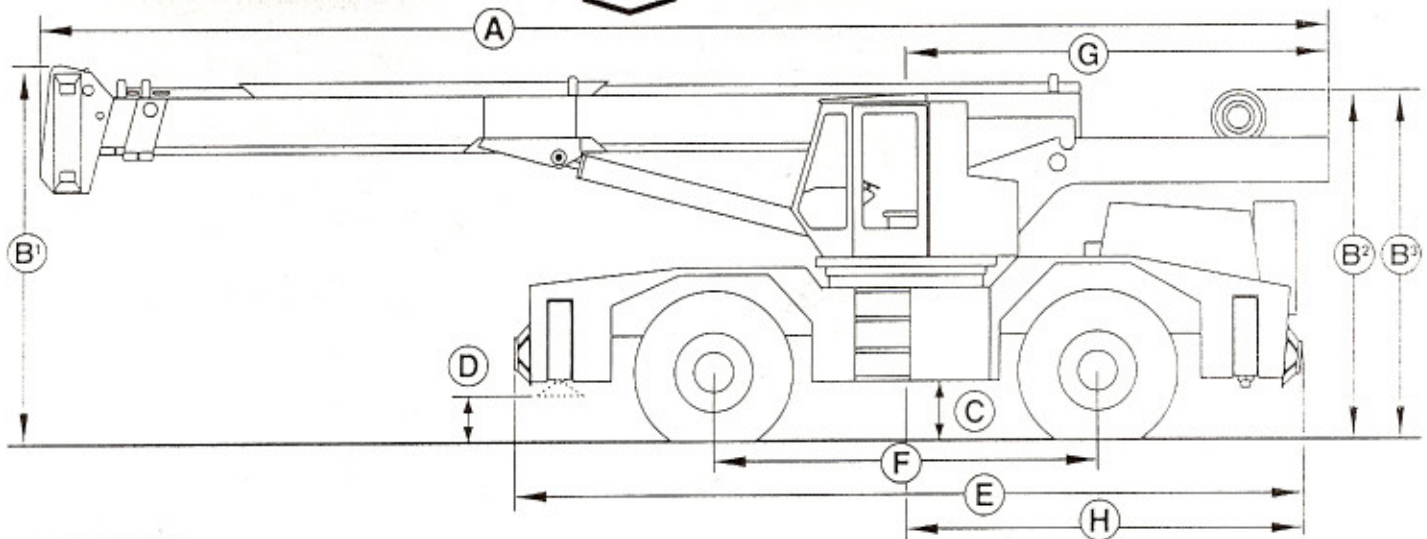


BADGER

4445

DIMENSIONS, AXLE LOADS



DIMENSIONS

A - Overall length, travel position: With 80' (24.4m) boom, 41'11" (12.77m). With 105' (32m) boom, 42'6" (12.95m)

	21.00 x 25 tires		26.5 x 25 tires		29.5 x 25 tires	
B1 - Overall height, boom at 0°	12'7"	(3.84m)	12'7"	(3.84m)	12'8.5"	(3.87m)
B2 - Overall height, travel position w/o auxiliary winch	12'5"	(3.78m)	12'5"	(3.78m)	12'6.5"	(3.82m)
B3 - Overall height, travel position with auxiliary winch	12'7"	(3.83m)	12'7"	(3.84m)	12'8.5"	(3.87m)
C - Ground clearance	26.5"	(67cm)	26.5"	(67cm)	29.5"	(75cm)
D - Clearance under outrigger floats, jacks retracted	11"	(28cm)	11"	(28cm)	13"	(33cm)
Overall width, travel position	10'0"	(3.0m)	10'7"	(3.2m)	10'10"	(3.3m)
E - Overall length of undercarriage: 26'5" (8.05m)	Outrigger spread, center to center of jacks: 21'0" (6.4m)					
F - Wheelbase: 150" (3.8m)	Overall width, floats installed, outriggers retracted 11'3" (3.4m)					
G - Tail swing: 13'11" (4.24m)	H - 12'7" (3.83m)					

AXLE LOADS

	Weight lb.	(kg)	Front Axle lb.	(kg)	Rear Axle lb.	(kg)
Machine with standard 80' boom	76,700	(34,790)	38,500	(17,463)	38,300	(17,373)
Machine with optional 105' boom	78,900	(35,788)	41,800	(18,960)	37,300	(16,919)
Main winch with free-fall	+300	(+136)	-118	(-54)	+418	(+190)
Main winch with 2-speed	+120	(+54)	-47	(-21)	+167	(+76)
Main winch with 2-speed and free-fall	+420	(+191)	-165	(-75)	+585	(+265)
Auxiliary winch	+1100	(+499)	-612	(-278)	+1712	(+776)
Auxiliary winch with free-fall	+1400	(+635)	-780	(-354)	+2180	(+989)
30' Sidely	+1300	(+590)	+2302	(+1044)	-978	(-444)
25' Jib	+1020	(+463)	+1264	(+573)	-224	(-102)
Auxiliary boom head	+100	(+45)	+280	(+127)	-180	(-82)
5-sheave hook block	+600	(+272)	+600	(+272)	No change	
Single-sheave block	+60	(+27)	+60	(+27)	No change	
Headache ball, 5-ton block	+250	(+113)	+250	(+113)	No change	
Headache ball, 3-ton block	+200	(+91)	+200	(+91)	No change	
Front pintle hook	+35	(+16)	+51	(+23)	-16	(-7)
Rear pintle hook	+35	(+16)	-16	(-7)	+51	(+23)
Tow winch without rope	+400	(+181)	+600	(+272)	-200	(-91)
21.0 x 25 - 24PR tires (1150 lb. each)	Standard		Standard		Standard	
26.5 x 25 - 20PR tires (1350 lb. each)	+1200	(+544)	+600	(+272)	+600	(+272)
26.5 x 25 - 26PR tires (1500 lb. each)	+1800	(+816)	+900	(+408)	+900	(+408)
29.5 x 25 - 22PR tires (1750 lb. each)	+2800	(+1270)	+1400	(+635)	+1400	(+635)
29.5 x 25 - 28PR tires (1800 lb. each)	+3000	(+1361)	+1500	(+680)	+1500	(+680)

NOTES: Standard machine includes 8000 lb. counterweight. Weight distribution for hook blocks and headache balls are with these items in storage compartment. Weights are estimated. Specifications and weights are subject to change without notice.

TMK Equipment Rental and Lease

WARNINGS

1. Minimum working boom angle for the fully extended main boom plus sidefly and jib is 55 degrees. Tipping can occur rapidly without advance notice.
2. For other boom configurations, having powered sections that are not fully extended, with or without sidefly and with or without jib, find rated loads in the columns headed by the maximum total length of the boom configuration.
3. The boom angle must be used to determine the rated load. For angles not provided in the table, use the rating listed for the next lower boom angle.

CRANE LIFT REDUCTIONS FOR BOOM EXTENSIONS (g)

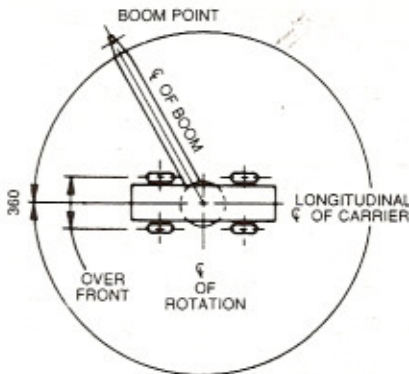
deduct for:	Stored	Erected
30' Sidefly	650 lb.	1470 lb.
25' Jib	200 lb.	1500 lb.

Note: (g) Reduction in main boom capacities.

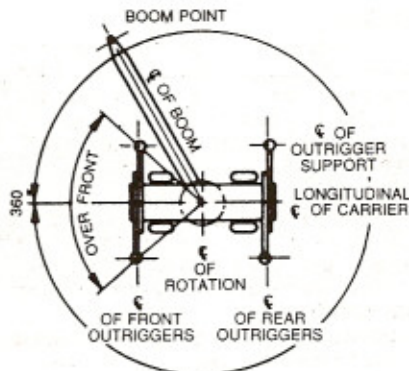
REEVING, MAIN WINCH

# of parts of hoist tackle		Max. hook load	
1	9,000 lb.	2	18,000 lb.
3	27,000 lb.	4	36,000 lb.
5	45,000 lb.	6	54,000 lb.
7	63,000 lb.	8	72,000 lb.
9	81,000 lb.	10	90,000 lb.

AREAS OF OPERATION



ON RUBBER



ON OUTRIGGERS