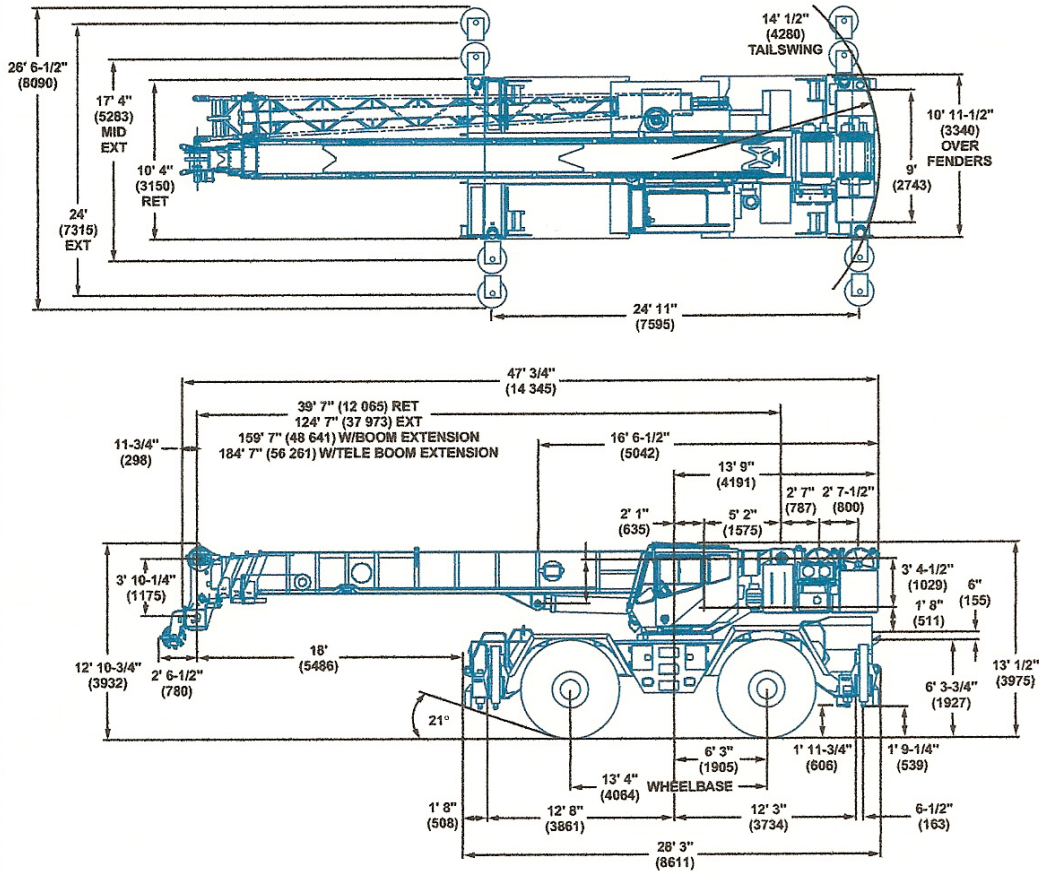


Grove 65 Ton RT 865-B

Dimensions



Note: () Reference dimensions in mm

- Turning Radius 22' 6" (6858 mm)
- Front Axle Load 55,235 lbs. (25 054 kg)
- Rear Axle Load 51,803 lbs. (23 498 kg)
- Gross Vehicle Weight 107,038 lbs. (48 552 kg)