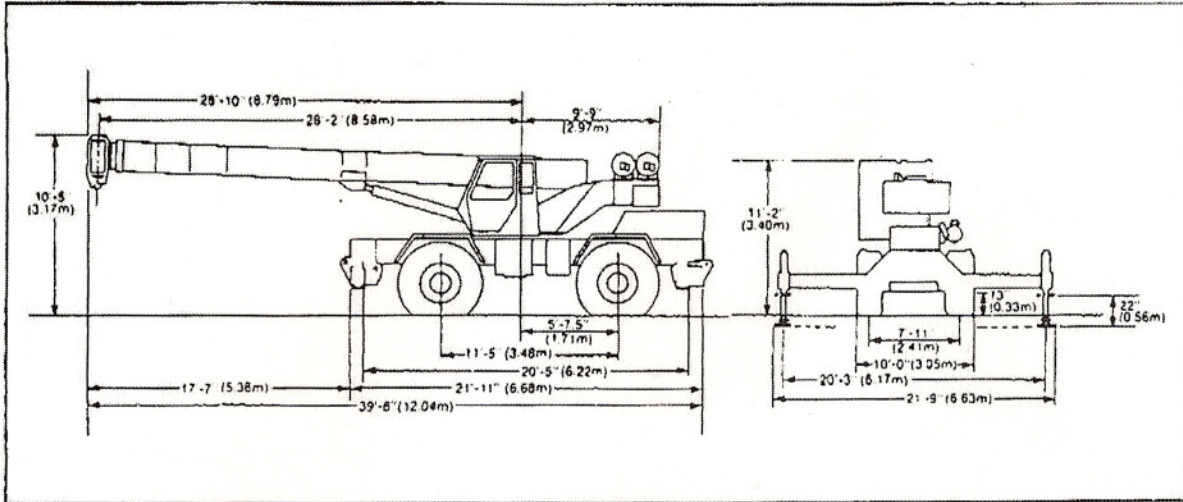


## GENERAL DIMENSIONS

**NOTE:**

Dimensions given assume the boom is fully retracted in travel position and 16.00 x 25 tires.

## Lorain RT 350 D- Dimensions



WEIGHTS & AXLE LOADS	GROSS WEIGHT LBS.	UPPER IN TRAVEL POSITION		GROSS WEIGHT KG.	UPPER IN TRAVEL POSITION	
		FRONT	REAR		FRONT	REAR
Basic Crane with 81' (24.89 m) Boom, 5100 lb. (2313 kg) Counterweight, 16.00 x 25 Tires	53,523	31,410	22,113	24,278	14,247	10,030
<b>Add Options:</b> 32' (9.75 m) Swing-on Jib (Stowed)	+ 975	+1,487	- 512	+ 442	+ 674	- 232
32'-49' (9.75-14.94 m) Swing-on Jib (Stowed)	+1,325	+1,717	- 392	+ 601	+ 779	+ 179
35 ton (31.7 mt) Hook Block	+ 700	-1,143	- 443	- 317	+ 518	- 201
Auxiliary Winch with Wire Rope	+ 240	- 83	+ 323	+ 109	- 38	+ 146
<b>Substitute:</b> 18.00 x 25 Tires	+ 900	+ 450	+ 450	+ 408	+ 204	+ 204
23.5 x 25 Tires	+1,300	+ 650	+ 650	+ 590	+ 295	+ 295

NOTE: Weights are for Lorain supplied equipment and subject to 2% variation due to manufacturing tolerances.