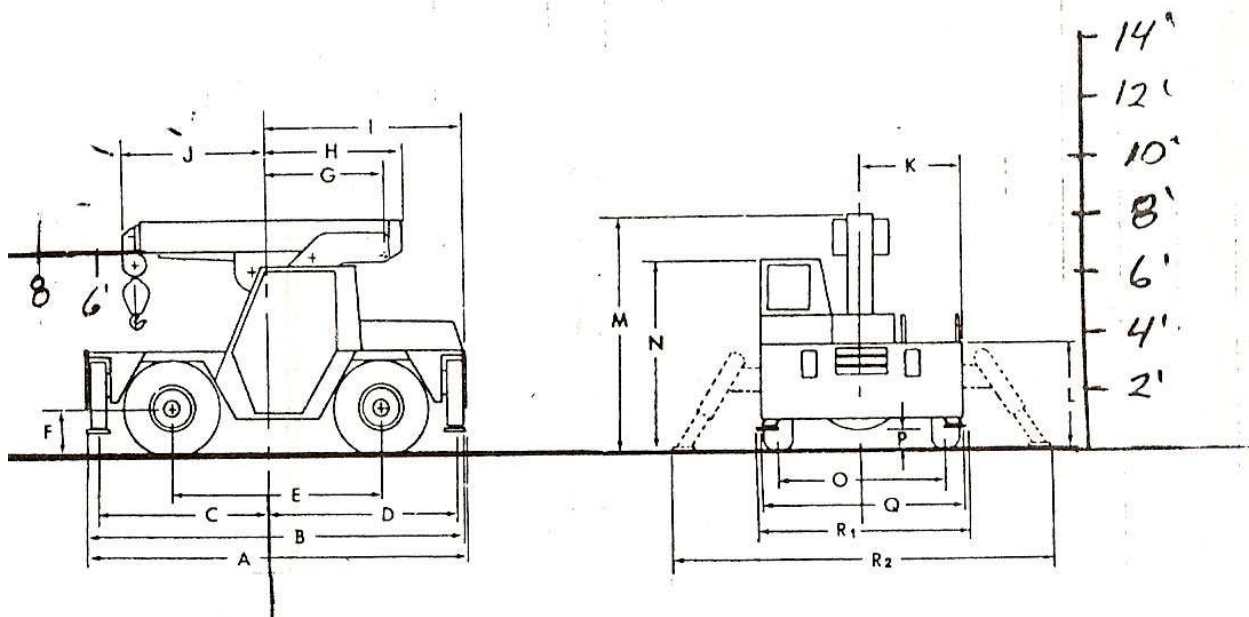


Shuttle Lift 3330 Carrydeck Dimensions

GENERAL DIMENSIONS

	STANDARD HEIGHT UNITS
A. Overall Length - Transport position	12 ft 3 in (3.73 m)
B. Overall Length of Frame	12 ft 0 in (3.66 m)
C. CL Rotation to CL Front Outrigger	63.2 in (1.61 m)
D. CL Rotation to CL Rear Outrigger	71.2 in (1.81 m)
E. Wheel Base	79 in (2.01 m)
F. Ground Line to center of axle	
1. Units with 8:25 x 15 tires	16.9 in (429 mm)
2. Units with 9:00 x 15 tires	17.5 in (444 mm)
3. Units with 10:00 x 15 tires	
G. CL Rotation to boom pivot pin	35 3/4 in (908 mm)
H. Tail swing	3 ft 7 3/4 in (1.11 m)
I. CL Rotation to rear of deck	6 ft 2 3/4 in (1.9 m)
J. CL Rotation to tip of head section	5 ft 9 1/2 in (1.77 m)
K. CL Rotation to side of deck	38 in (965 mm)
L. Deck Height (on outriggers)	38 1/2 in (979 mm)
M. Overall Height - Transport position	8 ft 1 in (2.46 m)
N. Height to top of cab	6 ft 4 1/4 in (1.94 m)
O. Wheel Tread	5 ft 3 in (1.6 m)
P. Ground Clearance - Minimum	8 1/2 in (216 mm)
Q. Frame Width	6 ft 4 in (1.93 m)
R. Overall Width	
1. Outriggers retracted	6 ft 7 in (2.01 m)
2. Outriggers extended	11 ft 8 in (3.56 m)



Shuttle Lift 3330 Carrydeck Dimensions

OPERATING DIMENSIONS

Outside Turning Radius	15 ft 3 in (4.65 m)
Inside Turning Radius	5 ft 8 in (1.73 m)
Minimum Aisle Space (for 90° turn)	11 ft 3 in (3.4 m)
Boom Rotation	full 360°
Boom Angle	
Maximum - Low Profile Unit	55°
Standard Height Units	60°
* Minimum	0°
Hook Height - Maximum	
Low Profile Units (w/3-section boom and 12 foot jib)	30 ft (9.14 m)
Standard Height Units (w/4-section boom and 8 foot jib)	35 ft (10.66 m)
Unit Weight (approx.)	
Low Profile Units	13,360 lb (6 060 Kg)
Standard Height Units	13,600 lb (6 168 Kg)
Travel Speed - Maximum (w/standard tires)	
w/Case 188 gasoline engine	20 mph (32.3 Km/h)
w/Case 188 diesel engine	21 mph (33.8 Km/h)